



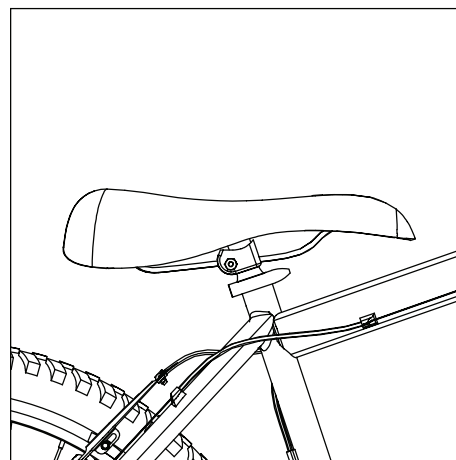
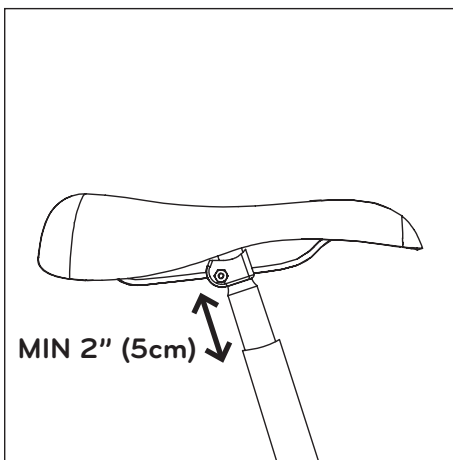
BikeNook™ GO

Can I use the Bike Nook™ GO on my bike?

The following criteria must be met:

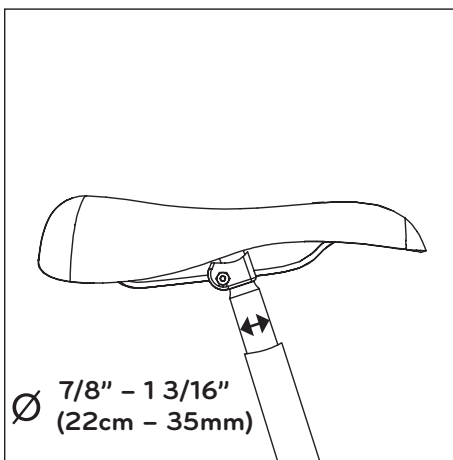
1. Min 2" (5cm) of free space on the seat post.

Note: You can easily adjust the height of the bike seat to free up the required space on the seat post.

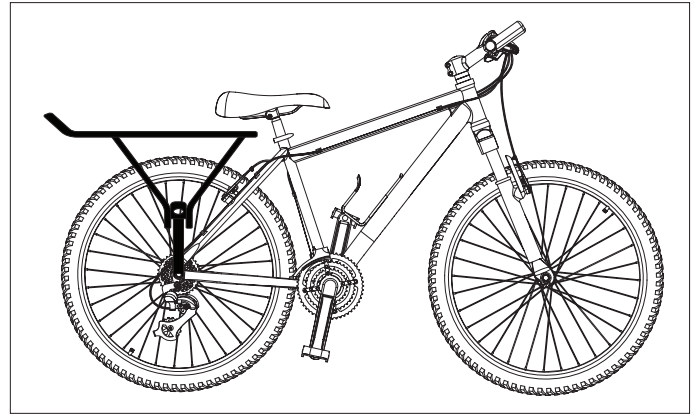
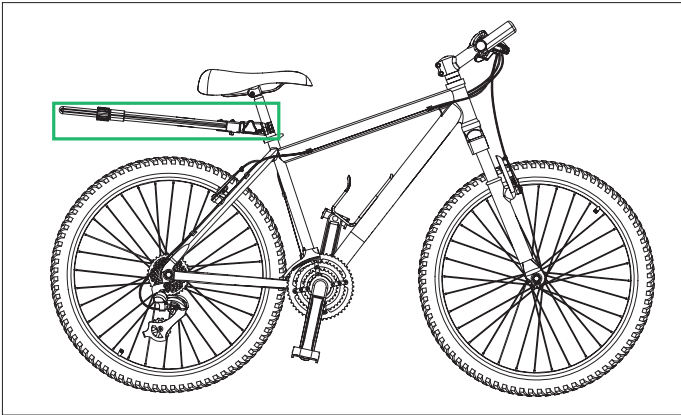


2. Diameter of the round bike post is between 7/8" and 1 3/16" (22mm and 35mm).

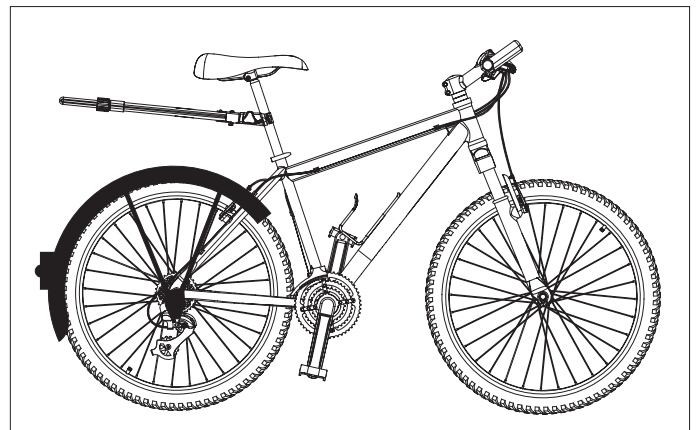
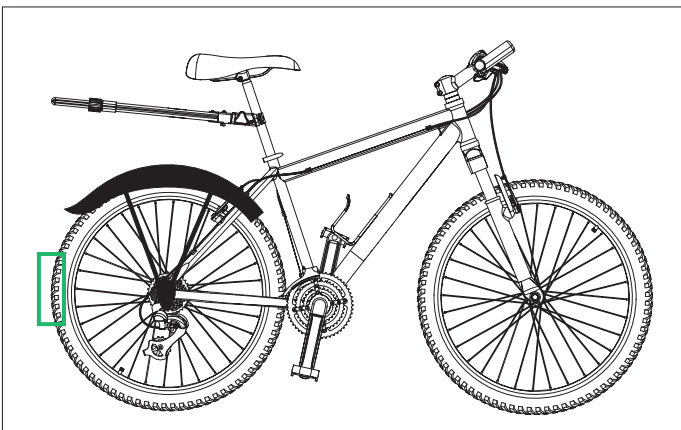
Note: Most bike post tubes are within this size range.



3. Clear space above the back wheel and below the seat to accommodate the Bike Nook.

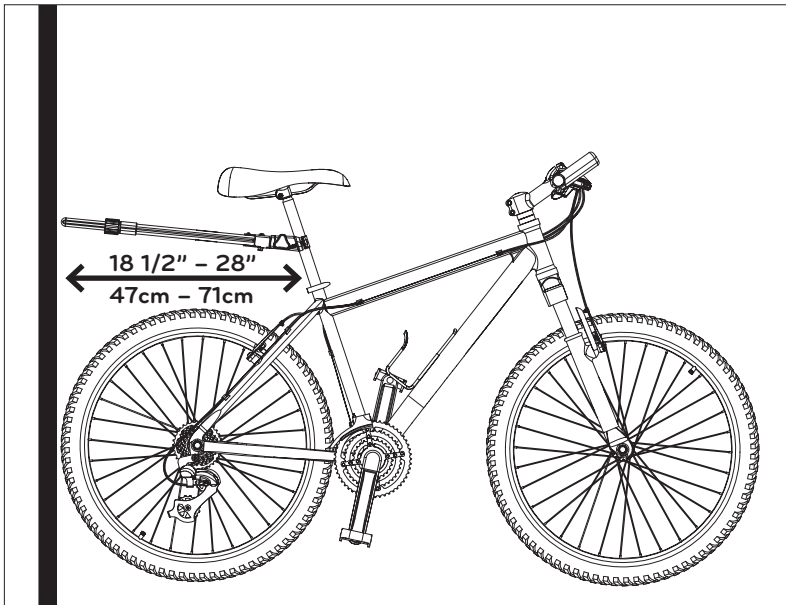


4. Fender or any other bike accessory do not cover the end point of the bike back wheel. If your bike has a full rear fender that extends to or further than the 9 o'clock position it will not work because your bike will be resting on the fender



5. Measured horizontal distance from the seat post to the end of the back wheel
Min 18 1/2" (47 cm) – Max 28" (71 cm).

Note: This length range should serve many different sizes of bicycles (approximately from 16" to 29" wheel size).



6. Max load weight on the Bike Nook (Telescopic) is 66 Lbs (30 Kg)

Note: Most bicycles weigh way less than 66 Lbs (30 Kg). Only some E-Bikes may be heavier.

